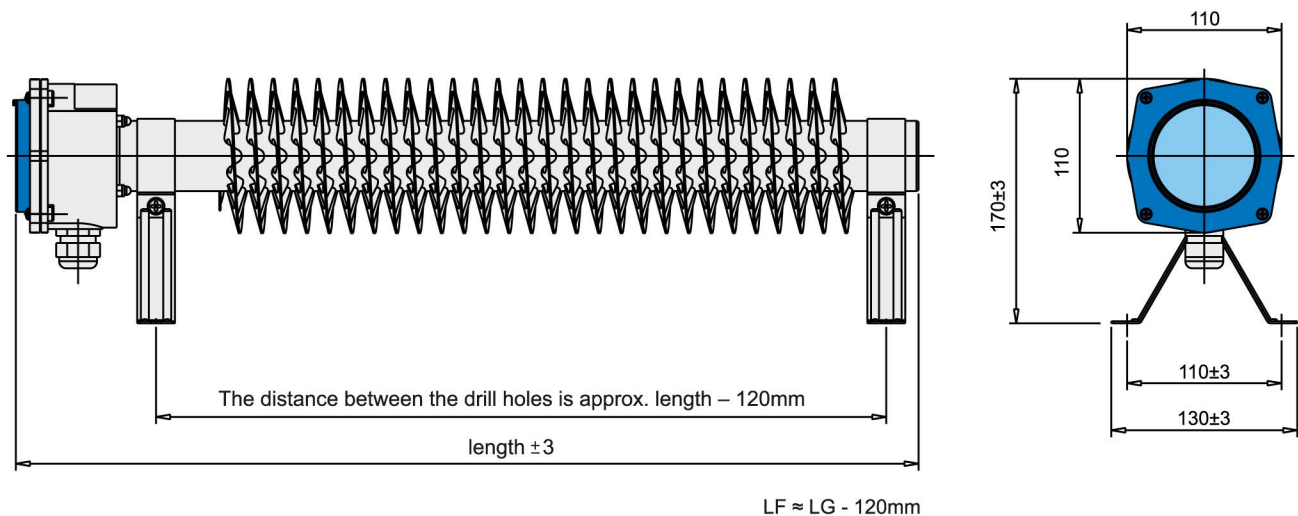


Information regarding safety, installation and operating is provided in the Mounting and Operating Instructions.

### 1. General design



#### Finned tube heaters and tube heaters

According to DIN EN 60335-1 and DIN EN 60335-2-30

∅ Tube	50 mm
∅ Fins	110 mm
Height	170 mm
Width	130 mm
Finned tube	stainless steel grade 1.4512 (1.4301 and 1.4571 on request)
Terminal box	PA6-GF30
Heating unit	technical ceramics C221 and C520
Cable gland M20 x 1,5	PA6

Heating conductors acc. to DIN 17470

Protection type IP 66 / IP 67 acc. to EN 60529

### 2. Specifications

#### 2.1 Product types

Type	Model	Control
universal	RiRo -u, -f, -nt, Tube heaters NR, SR, KR	no switch
step switch	RiRo-s	0 = off Step I = 1/3 heating power Step II = 2/3 heating power Step III = full heating power
automatic, with built-in thermostat	RiRo-a, -fa, -nta	frost-free adjustable between +5°C and +30°C

## 2.2 Technical Data


Finned tube heaters	u	a	s	f/fa	nt/nta	Lenght mm
Power W	500	500		120		440
	1000	1000	1000			640
	1500	1500	1500			840
	2000	2000	2000	600	500	1040
	3000	3000	3000	935	800	1440
	4000			1200	1000	1840
	5000					2240
	6000					2640
max. surface temp.	240°C	240°C	240°C	115°C	ΔT=67K	

Tube heaters	NR	SR	KR	Lenght mm
Power W			120	400
			150 / 200	640
	250	400		1040
	375	600		1540
	500	800		2040
	750	1200		3040
max. surface temp.	190°C	260°C	275°C	

## 2.3 Connection values

Tube heaters are available with built-in thermostat as well.  
Special values of voltage, length and power can be offered on request.

Type	Voltage V	Power W
RiRo -u (no switch)	230 V =/~	500
RiRo -u (no switch)	230 V =/~ 400 V 3 (N) ~	1000 - 3000
RiRo -u (no switch))	400 V 3 (N) ~	4000 - 6000
RiRo -s (with switch))	230 V ~	1000 - 3000
RiRo -a (mit thermostat)	230 V ~	500 - 3000
RiRo -f (for rooms with fire risk)	230 V =/~	120
RiRo -f (for rooms with fire risk)	230 V =/~ 400 V 3 (N) ~	600 - 1200
RiRo -fa (for rooms with fire risk, automatik)	230 V ~	120 - 1200
RiRo -nt (low surface temperature)	230 V =/~	500 - 1000
RiRo -nta (low surface temperature, automatic)	230 V ~	500 - 1000
Tube heaters NR, SR, KR	230 V =/~	120 - 1200

 CE-marking acc. to 2014/35/EG (LVD), 2014/30/EG (EMC), 2011/65/EU (RoHS) and 2012/19/EU (WEEE).  
WEEE-Reg.-Nr. DE 92309616



DEKRA-GS-certificate acc. to the German  
Produktsicherheitsgesetz (ProdSG)



KEMA-KEUR-certification for all  
finned tube heaters



VDE-certificatet: ingress protection  
IP66 / IP67



Interseroh Recycling  
Membership 80295